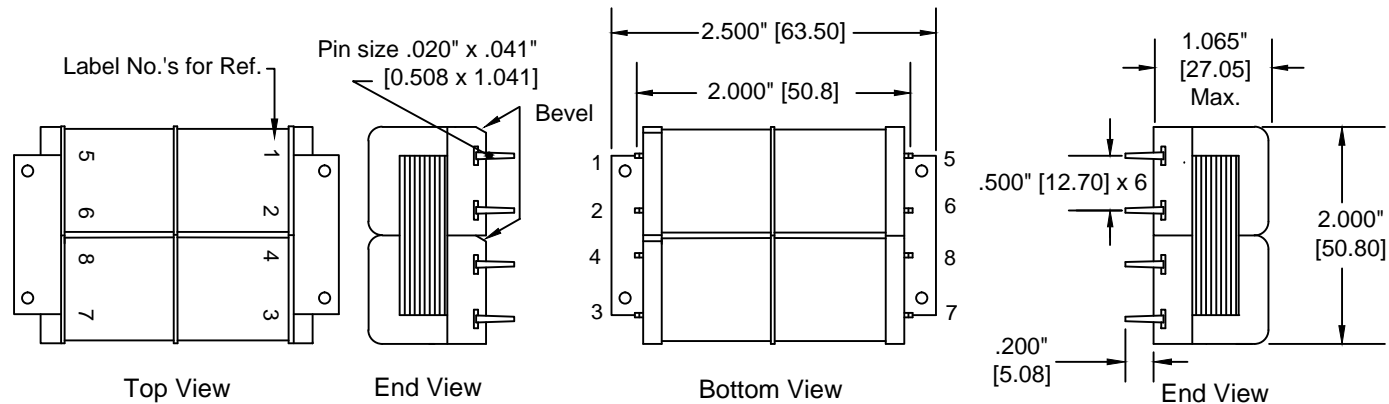


SPW-300 Series: 12.0 VA Low Profile PC Mount Power transformers with dual 115/230V primaries and dual secondaries. Ideal for Domestic low power applications where minimum height is required. Split bobbin construction provides excellent primary to secondary isolation.

- Dielectric Strength - 1500Vrms Hipot primary - secondary
- Dual Primaries (must be used either Series or Parallel connected as one winding), 115/230V, 60 Hz
- Dual Secondaries - Series or Parallel
- Height - 1.065" (27.05mm)
- UL Recognized CLASS B (130°C) Insulation system, UL 1446 (File E85315)
- Three flange bobbin design, no electrostatic shield required
- 100% Final Tested - Every transformer is tested on automated panels for induced voltage (shorted turns), exciting current, open circuit voltage (turns ratio), polarity (phasing) and dielectric strength
- Also available: Our internationally approved **SPW-2300 Series** which is pin-for-pin compatible with the Domestic SPW-300 Series
- Immersed in 100% solids epoxy resin to withstand most aqueous and solvent cleaning systems
- Other primary and secondary voltages may be custom designed to your specifications
- Anchor, insulating and crossover tapes. Two distinct, separate windings for each primary and secondary assure excellent Hipot capability between these windings

All dimensions reference only unless otherwise noted. []=mm

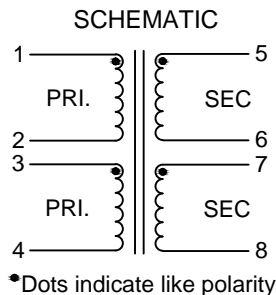


PRIMARY AND SECONDARY WINDINGS ARE DESIGNED TO BE EACH USED AS ONE WINDING WITH EITHER PARALLEL OR SERIES CONNECTIONS ONLY!

INPUT VOLTAGE 1 - 4 (Tie 2-3) 230V, 60Hz
INPUT VOLTAGE 1 - 4 (Tie 1-3, 2-4) 115V, 60Hz

SECONDARY PARALLEL CONNECTIONS:
TIE 5-7, 6-8; OUTPUT 5-8

SECONDARY SERIES CONNECTIONS:
TIE 6-7; OUTPUT 5-8



RMS RATING WITH SECONDARIES CONNECTED IN:

Part Number	VA	Series	Parallel
SPW-300	12.0	10Vct@1.2A	5V@2.4A
SPW-301	12.0	12.6Vct@900mA	6.3V@1.8A
SPW-302	12.0	16Vct@700mA	8V@1.4A
SPW-303	12.0	20Vct@600mA	10V@1.2A
SPW-304	12.0	24Vct@500mA	12V@1.0A
SPW-305	12.0	34Vct@340mA	17V@680mA
SPW-306	12.0	40Vct@300mA	20V@600mA
SPW-307	12.0	56Vct@200mA	28V@400mA
SPW-308	12.0	88Vct@130mA	44V@260mA
SPW-309	12.0	120Vct@100mA	60V@200mA
SPW-310	12.0	230Vct@50mA	115V@100mA
SPW-311	12.0	30Vct@400mA	15V@800mA

SPW-300 Series

Notes

Agency Approvals:

UL:
 -1446 (File E85315)
 -506 / 5085-2 General Purpose (File E96326)

CSA-C22.2 No. 66.1-06,
 66.2-06 General Purpose (File 063944)

FUSING THE TRANSFORMER TO MEET SAFETY AGENCY REQUIREMENTS IS THE RESPONSIBILITY OF THE CUSTOMER.

-1 Update CSA approval 8-7-15

PREM
 MAGNETICS INCORPORATED
 3521 N. CHAPEL HILL RD.
 JOHNSBURG, IL 60051

PREM PART SPW-300
 DOMESTIC SERIES

Approved: R. RANDOW

Scale: None

Date: 04/08/2015